

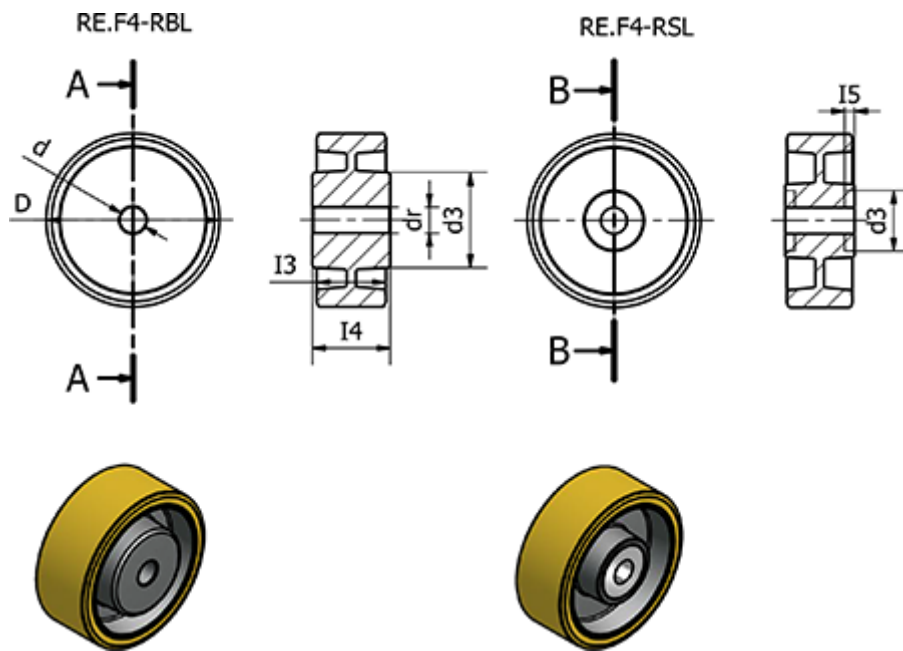
Data Sheet



Article number: 2314451404

Description: E+G Cast iron wheel 451404
RE.F4-200-RBL - loose wheel

Measures



Code	= 451404	Max static load (N)	= 15000
d	= 200	Rolling resistance (N)	= -
d3	= 70	Type	= RE.F4-200-RBL
dr	= 40	Weight (g)	= 4600
Dynamic carrying capacity (N)	= 9500		
I3	= 50		
I4	= 60		
I5	= -		